

S289

28/9/2020

INSTRUCTION MANUAL

SB-200

Sandblasting Cabinet 240V



**READ ALL INSTRUCTIONS
BEFORE OPERATING THE SANDBLASTER**

SPECIFICATIONS

Assembled Dimensions	55in (H) x 22.5in (D) x 34.5in (W)
Weight	92lbs
Electrical Requirements of Light	110V / 240V
Maximum operation Pressure	125PSI

SAVE THIS MANUAL

You will need this manual for the safety instructions, assembly and operating instructions and parts list. Put it in a safe dry place for future reference.

SAFETY WARNING & CAUTIONS

WARNING: When using the sandblaster, basic safety precautions should always be followed to reduce the risk of personal injury and hazards due to over pressurization.

READ ALL INSTRUCTIONS BEFORE USE THE SANDBLASTER

1. **KEEP WORK AREA CLEAN.** Cluttered areas invite injuries.
2. **OBSERVE WORK AREA CONDITIONS.** Do not use tools in damp, wet, or poorly lit locations. Don't expose to rain. Keep work area well lit.
3. **KEEP CHILDREN AWAY.** Children must never be allowed in the work area. Do not let them handle machines, tools, or hoses.
4. **STORE IDLE EQUIPMENT.** When not in use, tools must be locked up in a dry location to inhibit rust. Always lock up tools and keep out of reach of children.
5. **USE EYE AND EAR PROTECTION.** Always wear ANSI approved chemical splash goggles during operation. Replace only with Tempered or Safety Glass Size:610mmx3.4mm
6. **USE GROUNDED RECEPTACLE ONLY** for electrical hookup. Require 120V volts to operate vacuum.
7. **REPLACE GLOVES.** Cabinet gloves do wear. Replace as necessary.
8. **CLOSE AND LATCH DOOR DURING OPERATION.**
9. **DISCONNECT INCOMING AIR LINE.** When adding abrasive, or when servicing hoses, power gun, or other components.
10. **MAXIMUM OPERATING PRESSURE-125PSI.**

ASSEMBLY

Step 1-- Cabinet Rear Plate Assembly see Figure 1
Install the Light Claps (#37) on the Cabinet Rear Plate(#19) by the Bolts (#50) Flat washers (#56) and Nuts (#54)

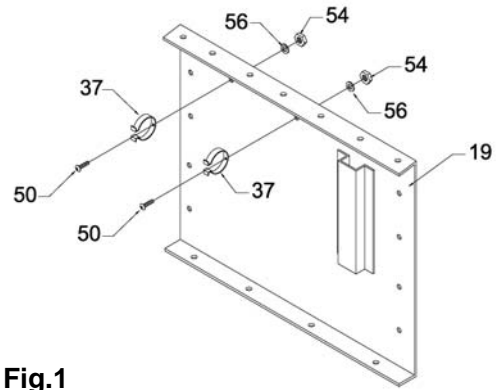


Fig.1

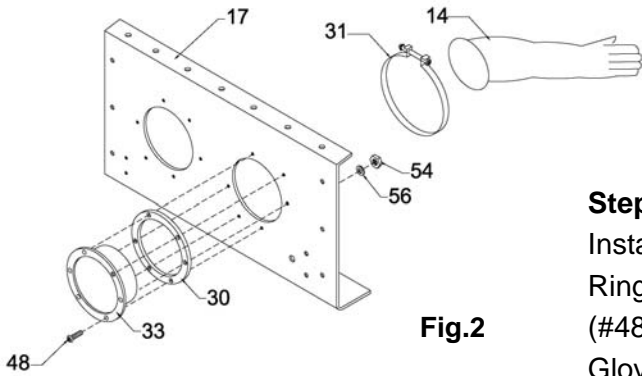


Fig.2

Step 2 -- Cabinet Front Plate Assembly see Figure 2
Install the Gloves Mounting Ring (#33) and Gloves Seal Ring(#30) on the Cabinet Front Plate (#17) by the Bolts (#48),Flat washers (#56) and Nuts (#54);Then fix the Gloves Clamp(#31) on the Gloves Mounting Ring (#33)

Step 3 -- Cabinet Left Plate Assembly see Figure 3
Install the Section Flange (#22) on the Cabinet Left Plate (#18) by the Bolts (#50),Flat washers (#56) and Nuts (#54)

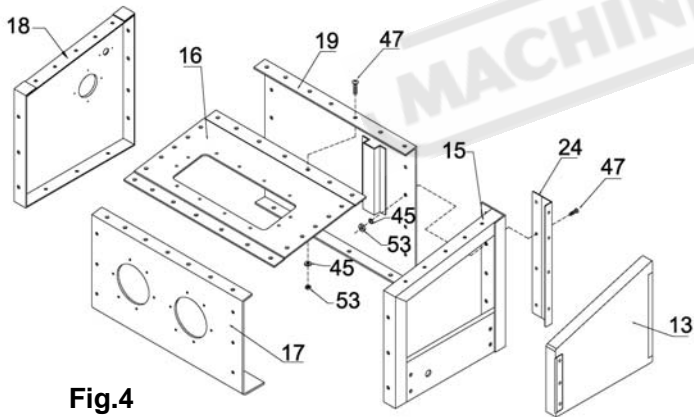


Fig.4

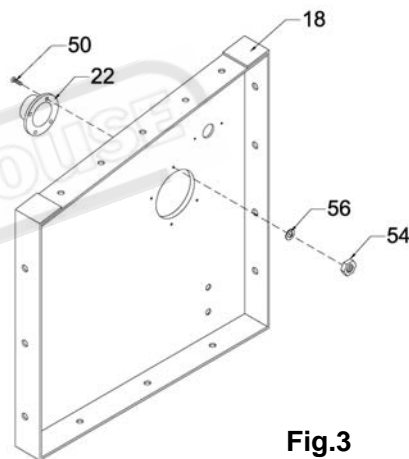


Fig.3

Step 4 -- Cabinet Assembly see Figure 4
First, assembly the Cabinet Rear Plate (#19), Cabinet Front Plate (#17) and Roof (#16) by Bolts (#47), Flat washers (#45) and Nuts (#53) (use the middle three holes first). Then,assemble the Cabinet Left Plate (#18), Dorr Frame (#15) and Door (#13) together with Hinge (24). Tighten all the Bolts and Nuts.

Step 5 -- Light Assembly see Figure 5
Put the Light Lamp (#39) into the Light Clamps (#37) and tighten the Light Clamps (#37) by Nylon Threads (#38),make the light clamp (#39) stable. Guide the wire of the Light Lamp (#39) out through the hole of Cabinet Left Plate (#18), and tighten the plastic nuts with the left plate (#18) so that to protect the wire. Insert the joint end of the wire into the switch (#21). See Figure 5.

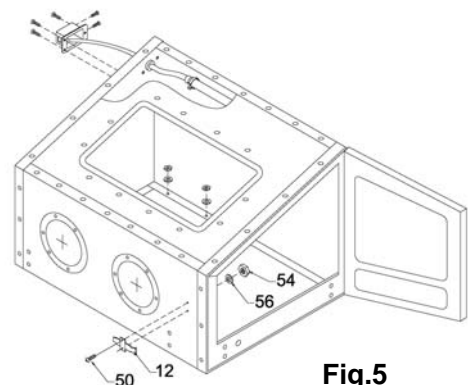


Fig.5

Step 6 – Switch Assembly see Figure 6

Then install the switch (#21) and switch cover (#20) on the Cabinet Left Plate (#18) by Bolts (#50), Flat Washers (#59) and Nuts (#54). Then install the Lock (#12) on Cabinet Front Plate (#17) by Bolts (#50), Flat Washers (#59) and Nuts (#54).

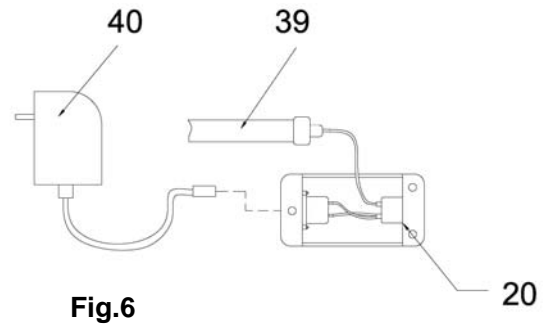


Fig.6

Step 7 – Funnel Assembly see Figure 7

Connect Funnel Left and Right Plates (#7) together with Funnel Front and Rear Plates (#6) by Bolts (#47), Flat Washers (#45) and Nuts (#53). Install the Funnel Mouth (#5) on the Funnel by Bolts (#47), Flat Washers (#45) and Nuts (#53).

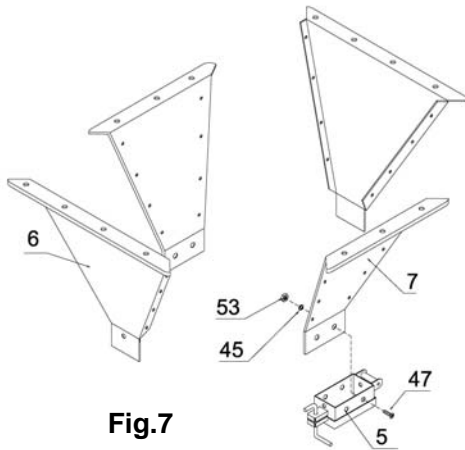


Fig.7

Step 8 – Legs Assembly see Figure 8

Put the side of the Cabinet on the ground, install the legs (#1) on by Bolts (#43), Flat Washers (#57) and Nuts (#52), meantime, add three leg Shims (#34) make the legs installing stable.

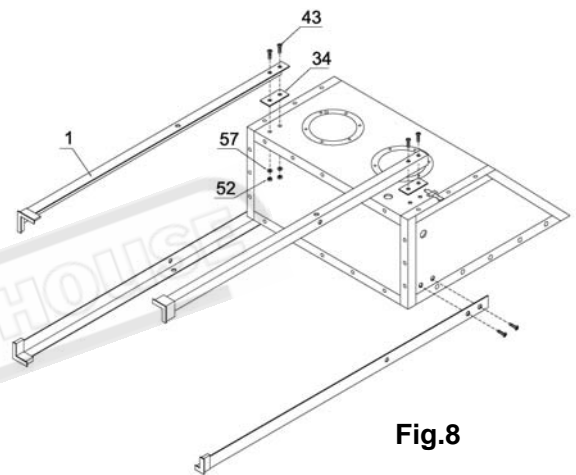


Fig.8

Step 9--Funnel and Cabinet Connection see Figure 9

Lean the assembled Funnel and put it under the Cabinet, Then put the Steel Screen (#11), Screen Frame (#10) and Bottom Plate (#9), at last, joint them all by Bolts (#44), Flat Washers (#57) and Nuts (#52). Connect with Gun (#8), meantime install the Plastic Pipe.

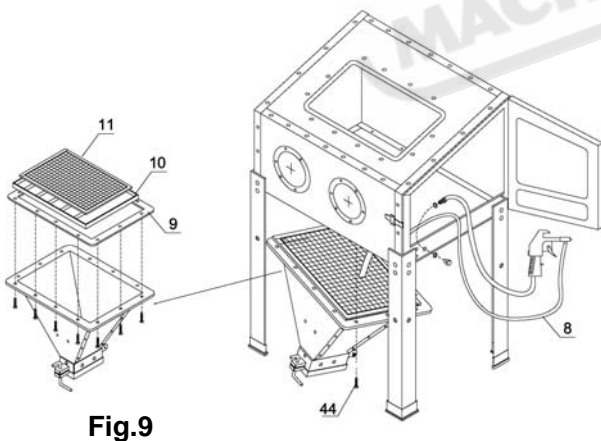


Fig.9

Step 10--Shelf and Frame Assembly see Figure 10

Install the Shelf (#2) on Legs (#1) by Bolts (#43), Flat Washers (#57) and Nuts (#52). Install Plexiglas (#26), Glass (#27) and Protection Film (#25) all on the Roof (#16) by Bolts (#49), Flat Washers (#56) and Nuts (#54)

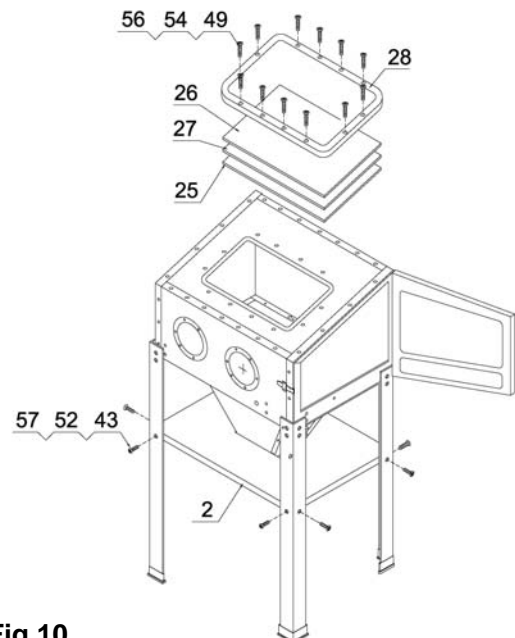
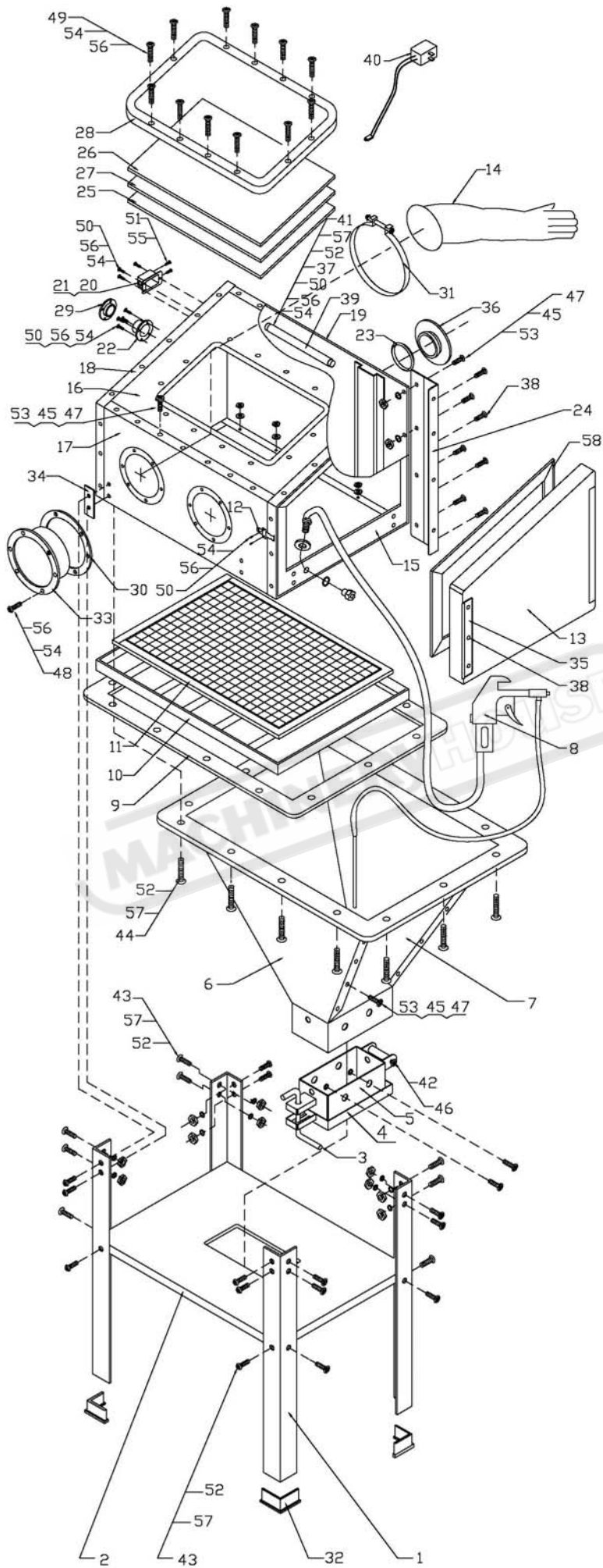


Fig.10



Ref#	Drawing No.	Description	Qty
1	VSC335-00001	Leg	4
2	VSC335-00002	Shelf	1
3	VSC335-01000	E Hook	1
4	VSC335-02000	Removal Cover	1
5	VSC335-03000	Funnel Mouth	2
6	VSC335-00003	Funnel Plate (Front,Rear)	2
7	VSC335-00004	Funnel Plate (Left,Right)	1
8	VSC335-13000	Abrasive Gun	1
9	VSC335-05000	Bottom Plate	1
10	VSC335-06000	Screen Frame	1
11	VSC335-07000	Steel Screen	1
12	VSC335-11000	Lock	1
13	VSC335-00022	Door	1
14	VSC335-00023	Glove	2
15	VSC335-12000	Door Frame	1
16	VSC335-00005	Roof	1
17	VSC335-00006	Cabinet Front Plate	1
18	VSC335-00007	Cabinet Left Plate	1
19	VSC335-08000	Cabinet Rear Plate	1
20	T410-00012	Switch Box	1
21	T410-10000	Switch	1
22	VSC335-00018	Section Flange	1
23	VSC335-00014	Seal Ring	1
24	VSC335-09000	Hinge	1
25	VSC335-00009	Protection Film	1
26	VSC335-00010	Plexiglas	1
27	VSC335-00011	Glass	1
28	VSC335-00016	Frame	1
29	VSC335-00017	Small Cover	1
30	VSC335-00019	Gloves Seal Ring	2
31	VSC335-10000	Gloves Clamp	2
32	VSC335-00013	Feet	4
33	VSC335-00020	Gloves Mounting Ring	2
34	VSC335-00012	Leg Shim	3
35	VSC335-00015	Metal Liner	1
36	VSC335-00021	Large Cover	1

Ref#	Drawing No.	Description	Qty
37	VSC335-00008	Light Clamp	2
38	4X12 GB/T845-1985	Tapping Screw M4x12	11
39	T410-09000	Light Lamp	1
40	/	Transformer	1
41	GB818/M6x45/DX	Cross Pan Head Screw M6x45	2
42	GB6170/M5/DX	Hex Nut M5	1
43	GB818/M6x12/DX	Cross Pan Head Screw M6x12	24
44	GB818/M6x25/DX	Cross Pan Head Screw M6x25	14
45	GB95/5/DX	Flat Washer Ø5	61
46	GB818/M5x50/DX	Cross Pan Head Screw M5x50	1
47	GB9074.5/M5x12/DX	Cross Pan Head Screw with Flange	60
48	GB818/M4x16/DX	Cross Pan Head Screw M4x16	12
49	GB818/M4x20/DX	Cross Pan Head Screw M4x20	12
50	GB818/M4x10/DX	Cross Pan Head Screw M4x10	11
51	GB818/M2x10/DX	Cross Pan Head Screw M2x10	2
52	GB6177.1/M6/DX	Hex Nut with Flange M6	40
53	GB6177.1/M5/DX	Hex Nut with Flange M5	60
54	GB6170/M4/DX	Hex Nut M4	35
55	GB6170/M2/DX	Hex Nut M2	2
56	GB95/4/DX	Flat Washer Ø4	35
57	GB95/6/DX	Flat Washer Ø6	40
58	NS35PB-0010	Door Seal	1

HOW IT WORKS

Your shop air hose enters front opening of cabinet and is connected to the air inlet of power gun. Bottom handle of gun has 1/4" pipe threads which will fit most air hose. Cabinet pickup tube leads to clear siphon hose which connects to gun head assembly.

INSTRUCTIONS

Pour glass beads or other abrasive into cabinet hopper through the side loading door. Place parts to be blasted in cabinet and close door. Do not over fill (1/2 full below work area screen is best). With hands in cabinet gloves aim power gun at object. Pull trigger and let our unique siphon recycling system do the best. Rust, paint and scale are quickly removed leaving the original metal clean and intact. Abrasive drops to the bottom of cabinet for continual recycling each time power gun is activated.

Abrasive can be re-used until it eventually breaks down or becomes dusty. To discard worn abrasive simply place empty box under spring loaded trap door. Add more abrasive and resume blasting.

Your shop vac connects to vacuum ferrule is necessary to remove the dust created in blasting. When using a shop vacuum, be sure to install the paper filter over the standard filter. Otherwise, abrasive could work its way into the vacuum motor, causing bearing failure.

At right front of cabinet is an opening for your air hose from your compressor. An ordinary 3/8" ID air hose should fit through this opening. Connect your air hose to bottom handle of power gun by screwing into place (use teflon tape or pipe compound-do not over tighten).Close door and pull trigger a few times to test operation.

NOTE: Use a fine grade of abrasive to prevent clogging. We recommend straining through a double layer of ordinary window screen. If it passes through the screen, it will pass through the nozzle. YOU ARE READY TO START BLASTING.